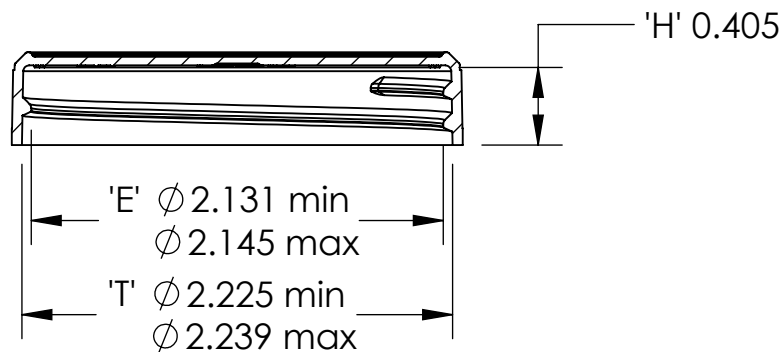
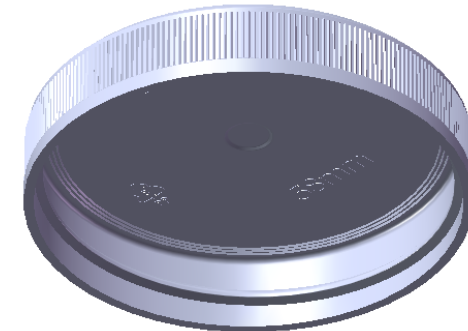


- Notes:
1. Material: Polypropylene (PP)
 2. Weight: Approx 5 grams
 3. Thread: 6 TPI
 4. Printable Area on Top: ϕ 1.59" circle
 5. Omega Part # 5250



DIMENSION	TOLERANCE
.00	.015
.000	.010

PROPRIETARY AND CONFIDENTIAL

THE INFORMATION CONTAINED IN THIS DRAWING IS THE SOLE PROPERTY OF OMEGA PKG. ANY REPRODUCTION IN PART OR AS A WHOLE WITHOUT THE WRITTEN PERMISSION OF OMEGA PACKAGING IS PROHIBITED.



15210 Desman Rd.
La Mirada, CA 90638
(714) 670-6400
omegapkg.com

REVISION	DATE
IR	6/05/2013
EZ	12/03/2019

58mm Ribbed Cap		DWG. NO.	5250-58-Rib	SCALE	1:1