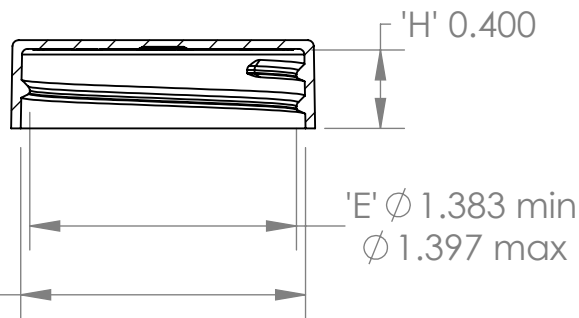
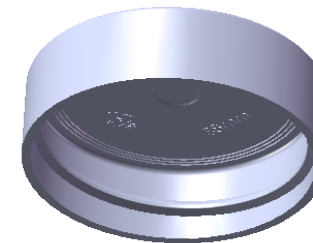


- Notes:
1. Material: Polypropylene (PP)
  2. Weight: Approx 3 grams
  3. Thread: 6 TPI
  4. Printable Area on Top:  $\phi$  1.1" circle
  5. Omega Part # 7115



DIMENSION	TOLERANCE
.00	.015
.000	.010



15210 Desman Rd.  
La Mirada, CA 90638  
(714) 670-6400  
omegapkg.com

**PROPRIETARY AND CONFIDENTIAL**  
THE INFORMATION CONTAINED  
IN THIS DRAWING IS THE SOLE  
PROPERTY OF OMEGA PKG.  
ANY REPRODUCTION IN PART OR  
AS A WHOLE WITHOUT THE  
WRITTEN PERMISSION OF OMEGA  
PACKAGING IS PROHIBITED.

REVISION	DATE
LAST JM	DATE 08/27/2021

38mm Smooth  
Cap

DWG. NO. 7115-38-Smooth SCALE 1:1