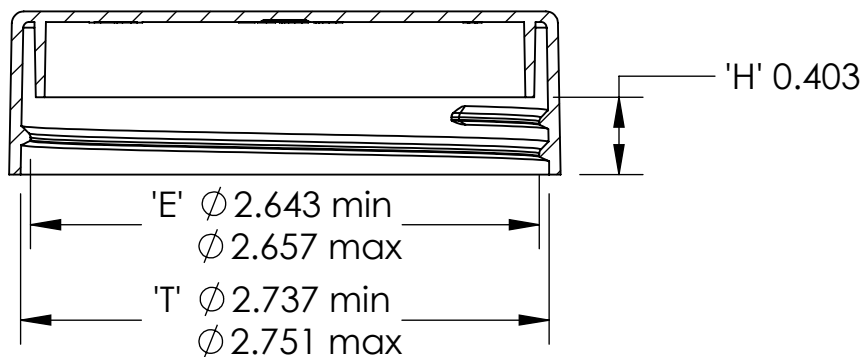
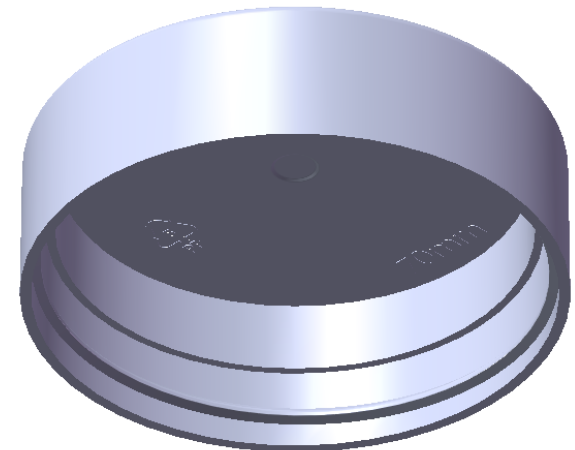


- Notes:
1. Material: Polypropylene (PP)
 2. Weight: Approx 14 grams
 3. Thread: 6 TPI
 4. Printable Area on Top: ϕ 2.19" circle
 5. Omega Part # 7550



DIMENSION	TOLERANCE
.00	.015
.000	.010



15210 Desman Rd.
La Mirada, CA 90638
(714) 670-6400
omegapkg.com

PROPRIETARY AND CONFIDENTIAL
THE INFORMATION CONTAINED
IN THIS DRAWING IS THE SOLE
PROPERTY OF OMEGA PKG.
ANY REPRODUCTION IN PART OR
AS A WHOLE WITHOUT THE
WRITTEN PERMISSION OF OMEGA
PACKAGING IS PROHIBITED.

REVISION	DATE
IR	2/21/2014
LAST	DATE
EZ	12/04/2019

70mm High Smooth Cap	
DWG. NO.	SCALE
7550-70-High-Smooth	1:1