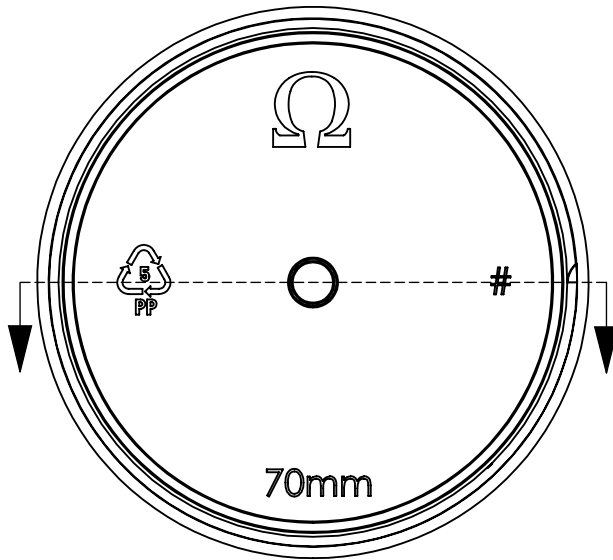
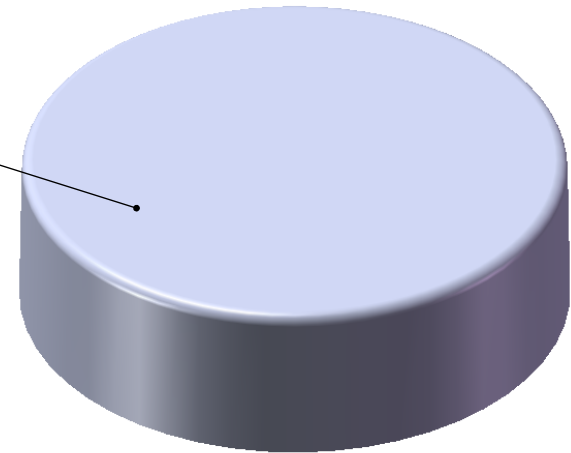
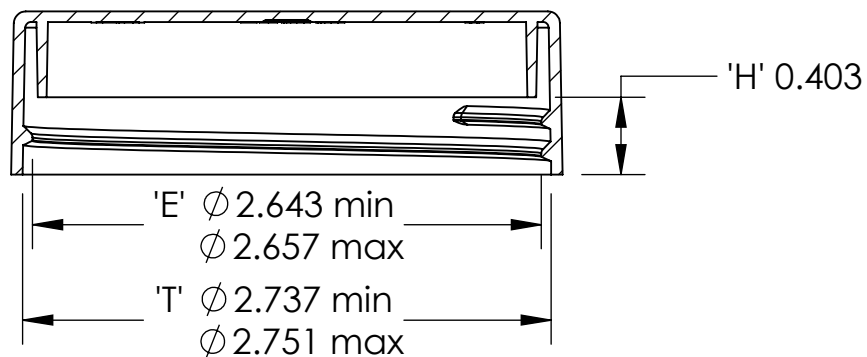
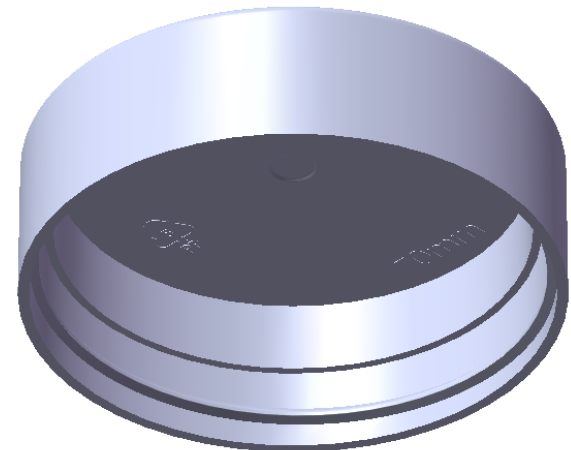


top and sides are matte finish



Notes:

1. Material: Polypropylene (PP)
2. Weight: Approx 14 grams
3. Thread: 6 TPI
4. Printable Area on Top: ϕ 2.19" circle
5. Omega Part # 7560



DIMENSION	TOLERANCE
.00	.015
.000	.010



15210 Desman Rd.
La Mirada, CA 90638
(714) 670-6400
omegapkg.com

PROPRIETARY AND CONFIDENTIAL
THE INFORMATION CONTAINED IN THIS DRAWING IS THE SOLE PROPERTY OF OMEGA PKG. ANY REPRODUCTION IN PART OR AS A WHOLE WITHOUT THE WRITTEN PERMISSION OF OMEGA PACKAGING IS PROHIBITED.

REVISION	DATE
JSO	10/1/2017
LAST EZ	DATE 12/04/2019

70mm High
Smooth
FROSTED Cap

DWG. NO. 7560-70-HS-Frosted SCALE 1:1