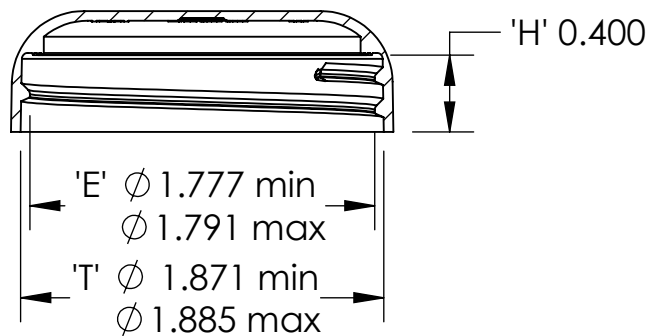
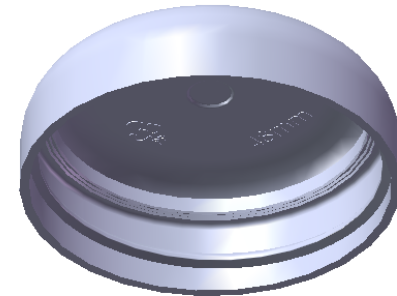


- Notes:
1. Material: Polypropylene (PP)
 2. Weight: Approx 5 grams
 3. Thread: 6 TPI
 4. Printable Area on Top: ϕ 1.25" circle
 5. Omega Part # 8125



DIMENSION	TOLERANCE
.00	.015
.000	.010



15210 Desman Rd.
La Mirada, CA 90638
(714) 670-6400
omegapkg.com

PROPRIETARY AND CONFIDENTIAL
THE INFORMATION CONTAINED
IN THIS DRAWING IS THE SOLE
PROPERTY OF OMEGA PKG.
ANY REPRODUCTION IN PART OR
AS A WHOLE WITHOUT THE
WRITTEN PERMISSION OF OMEGA
PACKAGING IS PROHIBITED.

REVISION	DATE
IR	7/18/2014
EZ	12/5/2019

48mm Dome Cap		DWG. NO. 8125-48-Dome	SCALE 1:1